



KINSHOFER
GROUP COMPANY



AUGERTORQUE

EARTHMOVING ATTACHMENTS



DELIVERING GROUNDBREAKING PERFORMANCE

Earthmoving Attachments
To Make Your Life Easier

USING HIGH QUALITY ATTACHMENTS TO IMPROVE YOUR EFFICIENCY

EARTH DRILLS

Auger Torque's Earth Drills are meticulously crafted, adhering to the highest standards, using premium materials and cutting-edge manufacturing techniques.

Our industry-leading manufacturer's warranty program provides you with the confidence you need for your upcoming projects. These hydraulically driven Earth Drills from Auger Torque can seamlessly integrate with a wide range of host machines, including excavators up to 50 tons, backhoes, skid steers, telehandlers, truck cranes, tractors, and more.

Whether you're tackling a small fencing or landscaping project or embarking on substantial foundation and piling endeavours, rest assured that your Auger Torque Earth Drill will consistently deliver exceptional results.



FEATURES OF OUR EARTH DRILLS

FORGED HOOD EARS

These come as standard with all Earth Drills in areas that we know will take a lot of strain. All hood pins are locked for extra safety making it impossible for the hood to detach from your

HOSES & ADAPTORS

All Earth Drills come standard with high quality hoses and adaptors (excludes larger units. QRC's not included).

HIGH QUALITY HYDRAULIC MOTORS

Our hydraulic motors are manufactured to meet stringent performance and durability standards, ensuring the optimum efficiency and reliability. Engineered with precision to ensure accuracy and consistency to give our customers the peace of mind they need.

EPICYCLIC GEARBOX

The unique Auger Torque planetary Gearbox consists of several gears arranged to allow for versatile speed reduction, torque multiplication or direction change in a compact and efficient design. Again ensuring optimum efficiencies and reliability.

NON-DISLODEMENT SHAFT

Unique to Auger Torque, the Non-Dislodgement Shaft is a single piece drive shaft assembled top down and locked into the Earth Drill housing.

This design guarantees that the shaft will never fall out, making, for a safer work environment, for the operator and any surrounding workers, a MUST HAVE FEATURE for any safety conscious company.





	4500MAX	8000MAX	25,000MAX	42,000MAX	65,000MAX	100,000MAX
TORQUE (Nm)	1,574-4,499	2,717-8,152	16,503-24,755	24,612-42,387	23,295-66,589	45,746-100,069
OIL PRESSURE (Bar)	80-240	80-240	160-240	180-310	160-320	160-350
OIL FLOW (lpm)	50-95	70-150	80-170	80-225	100-280	100-280
SPEED (rpm)	40-77	33-70	12-26	9-26	8-21	5-15
UNIT HEIGHT (mm)	665	780	1130	1411	1556	1623
UNIT DIAMETER (mm)	244	269	345	406	406	636
UNIT WEIGHT (kg)	75	75	75	442	480	1061
HITCH OPTIONS	Single Pin Double Pin DP Cradle	Single Pin Double Pin DP Cradle	Single Pin Double Pin DP Cradle	Single Pin Double Pin DP Cradle	Single Pin Double Pin DP Cradle	- - DP Cradle
OUTPUT SHAFT	65mm Rnd	75mm Sq	75mm Sq	75mm Sq	110mm Sq	150mm Hex
AUGER RANGE	S4	S5	S6	PA	PA	PA
AUGER DIAMETERS	100-900	150-1200	150-1500	300-1800	300-2400	TBD

GUIDE TO DRILLING PERFORMANCE*

4500 MAX				8000 MAX				25000 MAX				42000 MAX				65000 MAX				100000 MAX			
AUGER DIA (mm)	DRILLING DEPTH**			AUGER DIA (mm)	DRILLING DEPTH**			AUGER DIA (mm)	DRILLING DEPTH**			AUGER DIA (mm)	DRILLING DEPTH**			AUGER DIA (mm)	DRILLING DEPTH**			AUGER DIA (mm)	DRILLING DEPTH**		
	SOFT	MEDIUM	HARD		SOFT	MEDIUM	HARD		SOFT	MEDIUM	HARD		SOFT	MEDIUM	HARD		SOFT	MEDIUM	HARD		SOFT	MEDIUM	HARD
100	4M	3.6M	3.2M	150	6M	5.4M	4.9M	150	9M	8.1M	7.3M	300	11.5M	9.5M	9.6M	300	12M	10.8M	9.7M	300	12M	10.8M	9.7M
150				200				200				350				350				350			
200				225				225				400	11M	10M	9.1M	400	12M	10.8M	9.7M	400	12M	10.8M	9.7M
225				250				250				450	11M	10M	9.1M	450	11.5M	10.4M	9.4M	450	11.5M	10.4M	9.4M
250				300				300				500	10.5M	9.6M	8.7M	500	11.5M	10.4M	9.4M	500	11.5M	10.4M	9.4M
300				350				350				600	10M	9.1M	8.3M	600	11M	9.9M	8.9M	600	11M	9.9M	8.9M
350				400	6M	5.4M	4.9M	400	9M	8.1M	7.3M	750	9M	8.1M	7.3M	750	10M	9M	8.1M	750	10M	9M	8.1M
400				450	5M	4.5M	4.1M	450	8.5M	7.7M	6.9M	800	9M	8.1M	7.3M	800	10M	9M	8.1M	800	10M	9M	8.1M
450				500	5M	4.5M	4.1M	500	8.5M	7.7M	6.9M	900	8.5M	7.7M	6.9M	900	9.5M	8.6M	7.7M	900	9.5M	8.6M	7.7M
500				600	5M	4.5M	4.1M	600	8.5M	7.7M	6.9M	1000	8M	7.2M	6.5M	1000	9M	8.1M	7.3M	1000	9M	8.1M	7.3M
600	4M	3.6M	3.2M	750	4M	3.6M	3.2M	750	7.5M	6.8M	6.1M	1200	7.5M	6.8M	6.1M	1200	8.3M	7.5M	6.8M	1200	8.3M	7.5M	6.8M
750	2.5M	2.3M	2.1M	800	4M	3.6M	3.2M	800	7.5M	6.8M	6.1M	1500	7M	6.3M	5.7M	1500	7.5M	6.8M	6.1M	1500	7.5M	6.8M	6.1M
800	2M	1.8M	1.6M	900	3.5M	3.2M	2.9M	900	7M	6.3M	5.7M	1800	6M	5.4M	4.9M	1800	6.5M	5.9M	5.3M	1800	6.5M	5.9M	5.3M
900	1.5M	1.4M	1.3M	1000	3.5M	3.2M	2.9M	1000	6.5M	5.9M	5.3M					2000	5.8M	5.2M	4.7M	2000	5.8M	5.2M	4.7M
				1200	3M	2.7M	2.4M	1200	6M	5.4M	4.9M					2200	5.3M	4.8M	4.3M	2200	5.3M	4.8M	4.3M
								1500	5M	4.5M	4.1M					2400	4.8M	4.3M	3.9M	2400	4.8M	4.3M	3.9M

*These charts have been created as a guide only. Actual performance figures may differ.
 ** The data shown has been obtained, by Auger Torque, in a controlled environment. Auger Torque cannot guarantee that this environment can be replicated and as such cannot accept liability if these figures cannot be achieved.
 *** Any data or specification contained within this documentation may be subject to change without prior notification.
 For further information please contact your authorised Auger Torque distributor.

HARD ROCK AUGERS

Designed for drilling in fractured hard rock and extremely abrasive conditions.

A perfect choice for excavators between 5-50T, these augers are designed to get the hole drilled when regular rock augers start to refuse.

Made to spec from the highest grade steel, we are confident our hard rock auger range will stand up to the toughest of applications time & time again. All augers are also available as CFA's (Continuous flighted auger).



FEATURES

ROCK PILOT AND TEETH

Auger Torque tapered cutting Heads are offered with our rotating rock tooth and pilot to suit your hard rock needs. The leading flight is a massive 20mm in thickness to ensure it holds up in the toughest grounds.



SHALLOW PITCH FLIGHTS

By working with and, more importantly, listening to operators feedback we have developed the perfect pitch for our flights. It will cut at its maximum efficiency and, most importantly the spoil will stay on your cutting head when you remove it from the hole.

HEAVY DUTY TUBE

We know that the Hard Rock Auger range will be used for the toughest applications so we only use the highest grade steel and vary our tube size according to machine size and application.

TAPERED CUTTING PATH

Our cutting heads are designed with a constant spiral cut. Teeth are located so that each makes its own fresh cut on every revolution and are angled to direct spoil towards the centre of the cutting head. The tooth cutting angle ensures spoil is broken up thoroughly to avoid any clogging.



TECHNICAL SPECIFICATION

- Rotating rick rock teeth on tapered cutting head
- Standard 110mm Square Hub (PA) & 75mm Square Hub (S5/S6)
- 20mm starter flight & 12mm for remaining flights
- Available in standard sizes of 300mm, 450mm, 600mm & 750mm
- Standard length is 2.4m, custom sizes & continous flight available
- Custom diameters available on request
- Hard facing available

SCAN FOR VIDEO



DATA & ALIGNMENT MONITORING TOOL

The In-Site range of products are the must have tool to enable you to perform with the required accuracy, precision and efficiency across all your torque applications.

With three variants, In-Site is perfect for operators in all environments to get the best possible performance from their drive units.

Data can be viewed in real-time, allowing immediate adjustments as required to help keep jobsites as problem free as possible. Data can also be viewed offline in an easy to use dashboard format to give that enhanced level of understanding.



FEATURES

- Plug and play capability
- Real time data analysis
- Wireless touch screen display
- Alignment monitor
- Pressure readouts
- Calculated torque value
- Internal oil temperature records
- Time and date stamp of data
- Total run time
- Servicing alarm
- Temperature alarm
- Switch from metric to imperial units

APPLICATIONS

- Screw Piling
- Bore Hole Drilling
- Foundation Laying
- Auger Drilling
- Fencing

In-Site

- Suitable for parent machines from 1 tonne upwards
- Assists with accurate drilling, reduces the need for adjustments
- Operators can see alignment from all angles
- No need for additional operatives to watch over the installation
- Accurate, fast and cost-effective results

In-Site DATA

- Suitable for parent machines from 1 tonne upwards
- As per In-Site Align - with the addition of pressure sensors
- Operator is confident the correct torque is being used
- Reliable data to ensure key parameters are met
- You are warned of any use outside of Earth Drill operating parameters

In-Site DATA PLUS

- Suitable for parent machines from 13 tonne upwards
- With all the functionality of In-Site Align and Data with temperature and speed sensors
- Assists operational efficiencies
- Helps minimise onsite issues, damage to the earth drill and operational inefficiencies

ALIGNMENT FUNCTION



APPLICATION IS IS ALIGNED



APPLICATION IS MOVING OUT OF ALIGNMENT



MAX PRESSURE REACHED



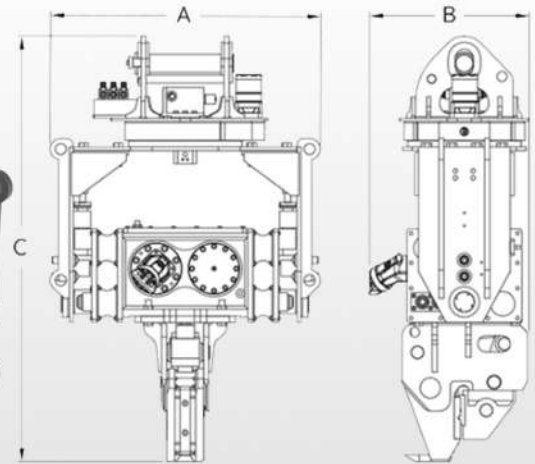
SWEEPER BROOM

Auger Torque brooms are precision engineered from high grade steel. Easy adjustment, simple brush replacement, high quality hydraulic motors and low maintenance design are just a few of the features. With the optional high capacity, low profile dust suppression system for keeping airborne dust to a minimum, our brooms really do stand out from the rest. Availability for Skid Steer Loaders, Front End Loaders and Telehandlers means we will be able to help you out with the right broom for your application.

FEATURES

- **MULTI CARRIER MACHINE USAGE**
Skid Steers, Telehandlers, Articulated Loaders and Backhoes
- **PROTECTED MOTOR WITH SQUARE FLANGE AND DISK GEAR BOX**
- **ENCASED /COVERED HYDRAULIC MOTOR PORT**
Greater protection and durability
- **NYLON & STEEL MIXED BRUSHES**
Providing a thorough clean up
- **INTEGRATED COLLECTION BUCKET**
With a 440 L capacity
- **STURDY BODY CONSTRUCTION**
Complete with mounting transport hooks
- **BOLT-ON REVERSIBLE HB400 CUTTING EDGE**
- **OPTIONAL ACCESSORIES**
Water Tank , Dust Suppression Water Sprinklers, Gutter Brush with Integrated Water Sprinkler
- Auger Torque is a direct drive sweeper broom

PARAMETERS/MODELS	1200	1500	1800
Sweeper width	1200	1500	1800
Brush diameter	600	600	600
Unit width	1395	1800	2183
Unit height	637	637	637
Unit length	1337	1337	1337
Unit weight	n/a	n/a	470



THE KINSHOFER AUTO TILT VIBRO HAMMER

Selecting the right excavator mounted vibro hammer for your project is an important decision that can have a significant impact on the success and efficiency of your work. This range of Vibro Hammers are not only reliable and powerful, but with a 90degree tilt and 360 hydraulic rotation function offer a safer and more productive choice for your jobsite.

FEATURES

More efficient and safer works

- 90degree title / 360degree hydraulic rotation function enables more efficiency and safer working environments

"Auto Hold" function on 90-degree tilting position

- Low maintenance cost & Easy maintenance
- Compact design with no failure-prone cylinders of tilting function

Rigid and durable

- Double bearing structure and rigid rubber cushion

Low maintenance cost & easy maintenance

- Concise structure of components

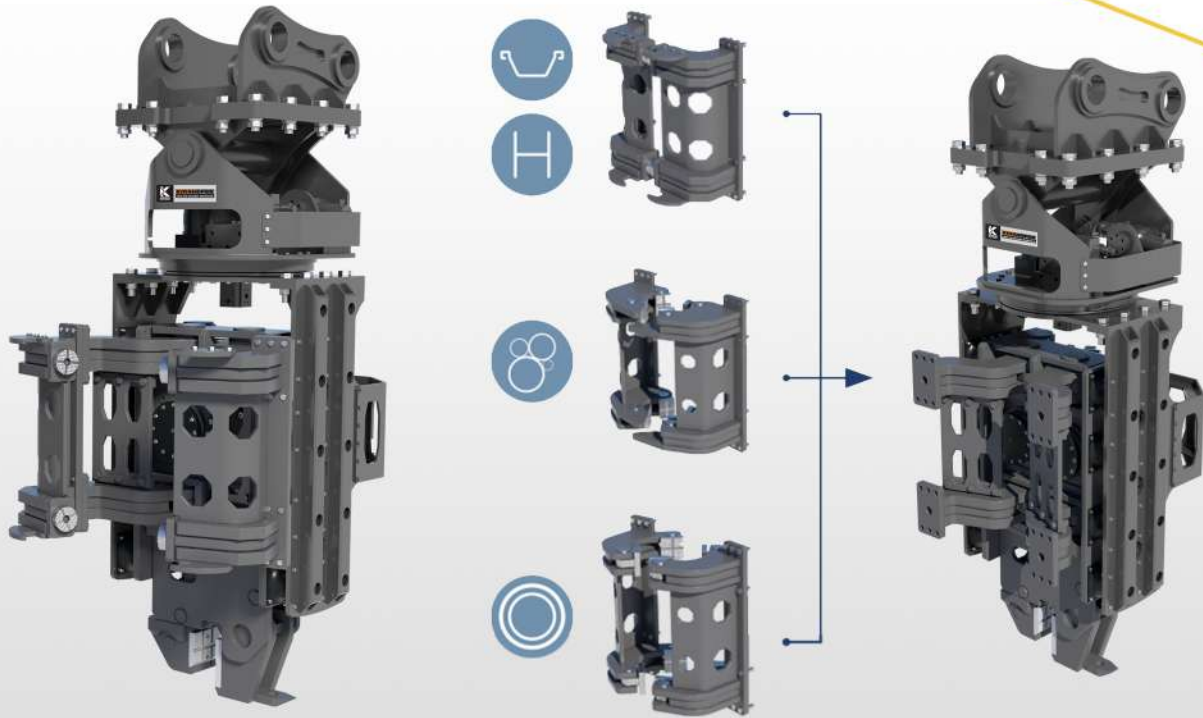
Easy installation & operation

- Concise operation electric kits



PARAMETERS/MODELS

PARAMETERS/MODELS	KSH25	KSH30	KSH40
EXCAVATOR (TON)	20 - 30	30 - 40	40 - 55
WEIGHT (KG)	1620	1910	2250
SETTING PRESSURE (BAR)	250	250	280
OIL FLOW (LPM)	170 - 200	180 - 220	240 -260



SIDE GRIP VIBRO HAMMERS

The Side Grip Vibro Hammer range can handle, pitch and drive/pull sheet and tube piles without any manual handling. Sheet piles can be used that are much longer than the reach of the excavator boom, meaning you can install and remove long sheet piles. With 360-degree swivel and suitable for a range of piles this is the perfect tool for confined spaces ensuring maximum productivity and safety.

FEATURES

Available for a wide ranges of piles

- Sheet piles, H beams, I-H beams, and round-piles

Versatile piling at limited height jobsites

Precise and accurate side clamping

- 360-degree Swivel rotatable jaws enable precisely and accurately clamping

Quicker and more powerful

- Faster penetration and extraction than other side grip pile drivers thanks to bigger and double eccentric weight

Low maintenance cost & easy maintenance

- Concise structure of components

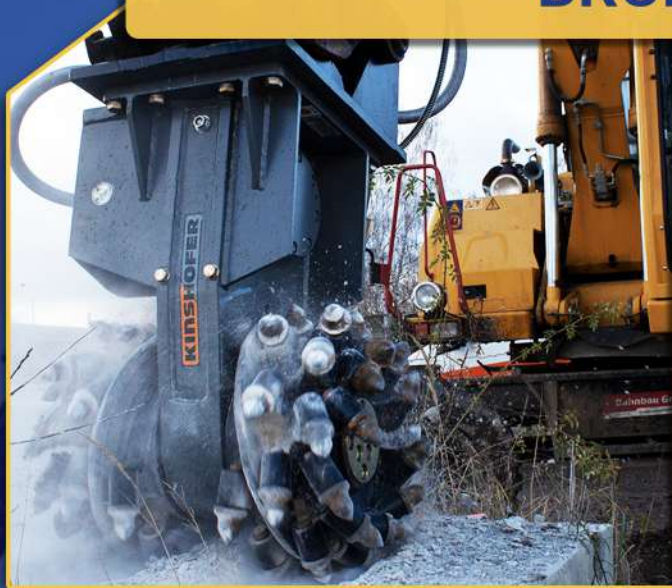
Rigid and durable

- Double bearings, balanced counter weights and rigid rubber cushion



PARAMETERS/MODELS	KSG25	KSG30
SUITABLE EXCAVATOR (TON)	20 ~ 30	30 ~ 45
BOTTOM JAW OPEN (MM)	65	65
MIN PILE GRIP DIA (MM)	150	150
MAX PILE GRIP DIA (MM)	500	500

DRUM CUTTER



The Kinshofer Drum Cutters are the ideal attachment for excavation trenching and surface scaling in the most adverse terrain conditions. Coupled with multiple drum configurations and pick choice, our drum cutters ensure high performance, maximum productivity and value add to our customers.

The range has robust spur gearing and is driven by high torque motors, along with gear reduction facility to increase over cutting force. Componentry has been specifically selected to provide maximum penetration and minimum vibration and noise levels. A heavy-duty sealing system means working under water to a depth of 25m is also possible.

LET'S CUT TO THE CHASE Experience bigger benefits with the KDC Series

INCREASED PROFITABILITY

- Robust construction and low maintenance operation
- Precision profiling and cutting performance in hard soil and rock
- Easy re-utilisation of cut material

GREATER EFFICIENCY

- High pick force
- Extremely high cutting-head torque
- Maximum cutting force thanks to reduction gear unit

MAXIMUM FLEXIBILITY

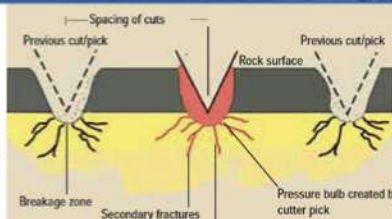
- Modular construction
- Large selection of drum/pick options
- Fast and easy exchange of wear part



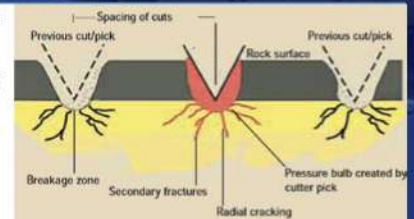
FEATURES

- Low noise and vibration levels guarantee low-fatigue working
- Maximum performance due to robust spur gear
- Waterproof to 25m
- Durable, low-maintenance operation due to large-scale drive shaft bearing, heavy-duty sealing system and robust housing structure. Suitable for hard continuous running!
- Different adapters available
- Hydraulic motor can be adjusted in line with hydraulic output of excavator
- Fast, easy exchange of wear parts reduces downtime
- Large drum and pick assortment
- Optional 360° rotation: Position your Drum Cutter more accurately into corners, walls and other vertical surfaces to achieve even more accurate profiling

More than the performance of the cutter (kW), it is the pick force and cutting head torque which creates the optimal cutting operation.



The optimum arrangement of the picks guarantees a high loosening rate of the rock and a low overall wear rate – as a smoother cutting action reduces vibration on the excavator.



PARAMETERS		KDC04	KDC06	KDC08	KDC15	KDC20	KDC30	KDC35	KDC45	KDC60
INPUT POWER	Kw	18	18	22	30	45	60	90	120	150
WEIGHT	kg	250	250	250	420	850	1,350	1,400	2,550	2800
OIL FLOW	Lpm.	48	50	60	90-115	100-170	140-210	240-340	300-500	360-600
HEIGHT	mm	615	615	615	740	965	1,095	1,095	1,345	1,345
CUTTING WIDTH	mm	500	500	500	630	750	900	900	1,200	1,400
DRUM DIAMETER	mm	350	350	350	405	550	615	615	760	760
# OF PICKS	Pc.	44	44	44	48	56	56	56	64	80
MAX TORQUE	NM	2330	2330	4750	7,880	9,990	13,650	24,150	36,200	43,600
MAX CUTTING FORCE	N	13320	16000	29,231	40,410	36,327	44,390	78,537	95,263	114,373
OPERATING WEIGHT	T	2-4t	2-4t	2-8t	8-15t	12-20t	18-30t	25-35t	25-45t	40-60t
PICKS FORCE	(kN)	16 – 26,6		23 – 40		32 – 36		44,5 39,3		78 - 95 115
CUTTING SPEED	(m/s)	1,6 – 2,0		1,6 -2,4		2,2 - 2,6		2,0 – 2,4 1,9 – 2,3		1,9 – 2,3 1,9 – 2,3
OP. PRESSURE	bar	215 / 180		225 - 180		200 / 180		240 / 200 210 / 180		205 / 180 225 / 190
SHAFT SPEED (OUTPUT)	rpm	80 – 130		80 – 120		70 – 105		60 – 90 60 – 80		50 – 80 50 – 75



EXCAVATING



DEMOLITION



PROFILING

KFX HYDRAULIC HAMMER

The KFX breaker series have been designed to give you the ultimate in versatility, reliability and efficiency. Suitable for 8-200 Ton excavators, skid steers and backhoes, and with a range of tool options, these hammers make easy work of demolishing concrete and rock, breaking asphalt, and pathways. The breakers are made of high-grade steel and consist of a simple but ingenious design with only two moving parts. The cartridge design without tie rods makes it extremely quiet, allowing operators to work longer hours and complete contracts in shorter time frames.



APPLICATIONS



Mining & Quarrying



Metallurgical Industry



Demolition & Renovation



Recycling



Construction

FEATURES

AUTOMATIC HYDRAULIC GREASING + ELECTRIC CONTROL (OPTIONAL)

FULLY PROTECTED SWIVEL TUBES

MANUAL REGULATION OF OPERATING PRESSURE

ANTI BLANK FIRING OIL CIRCUIT

UNIQUE PISTON GEOMETRY FOR CONSTANT ENERGY LEVELS

ANTI DUST FEATURE AND UNDERWATER USAGE

DUSTPROOF SEALS



PARAMETERS/MODELS	KFX1700	KFX1900	KFX2200	KFX2800	KFX3200	KFX3700
CARRIER WEIGHT, (KG)	18-24	22-27	23-31	28-38	30-40	35-40
PRODUCT WEIGHT, (KG)	1650	1850	2200	2900	3200	3700
BODY HEIGHT, MM	1670	1790	1840	2030	2030	2250
TOOL HEIGHT, MM	620	725	720	710	710	790
CHISEL DIAMETER, MM	135	140	150	160	160	180
PARAMETERS/MODELS	KFX4200	KFX5000	KFX6000	KFX8000	KFX12000	KFX5000
CARRIER WEIGHT, (KG)	35-45	40-65	45-75	60-110	60-170	100-200
PRODUCT WEIGHT, (KG)	4400	4850	5800	7800	12000	14500
BODY HEIGHT, MM	2250	2390	2390	1840	2030	2030
TOOL HEIGHT, MM	790	700	620	720	740	710
CHISEL DIAMETER, MM	180	195	195	215	235	280

TOOLS



Pyramid
For reinforced concrete and very compact rock



Chisel
For medium-hard and layered rock



PMZ SERIES OF DEMOLITION AND SELECTOR GRABS

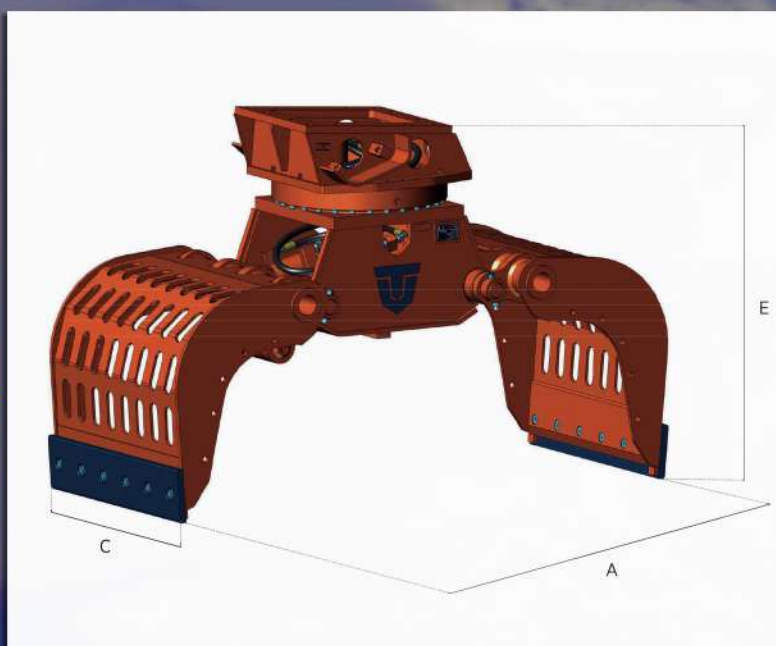
PMZ Series of Demolition and Selector Grabs, from Trevi Benne, used both for the demolition of structures as well as sorting, handling and selection of various demolition, scrap and recycling waste and materials. For excavators 3.5 to 67 Ton.

RECOMMENDED FOR:

- Demolition and primary stripping works of low consistency and resistance buildings
- Targeted selection and loading of the resulting materials on site
- A specific landfill separation
- Handling of inert materials in the recycling centers

FEATURES

- Compact HD rotation with double motor
- Possibility to customize the grapple shells
- "Metal plates" on blade for constant wear recovery
- Bolt-on reversible blade



PARAMETERS/MODELS	PMZ 12	PMZ 15	PMZ 20	PMZ 25	PMZ 30	PMZ 40
WEIGHT (KG)	1040*/1140*	1350*/1655*	1890*/2030*	2480*/2715*	2790*/3480*	4070*/**
A (MM)	1960	2120	2420	2280	2480	2800
C (MM)	920	1020	1205	2110	1500	1500
E (MM)	1250	1405	1450	1620	1680	1810
CAP SAE (M³)	0.6	0.8	0.95	1.0	1.3	1.5
MAX (BAR)	350	350	350	350	350	350
LPM	120	170	170	200	200	250



ORANGE PEEL GRABS

The orange peel grabs from Kinshofer offer the perfect solution for material handling of all shapes, sizes and materials. Suitable for excavators from 36T to 50T, with quality engineering and varying tines; these grabs are perfect for heavy duty tasks

Throughout the years, the orange peel grabs have been further developed and improved, until today's version had finally been ready – for many the best orange peel grab range on the market!

Orange peel grab with 4 or 5 tines and 1000l/1.31c.y. , 1250l/1.64c.y. or 1500l/1.96c.y. volume for the handling of bulky scrap with excavators from 36t/79200lbs to 50t/110000lbs operating weight - for heavy duty tasks.

The P-series orange peel grabs are available with three, four or five tines, depending on type and version, and in four different tine profiles for a perfect fit to your task:

- Fully closing tines (F)
- Wide style of pointed tines (W)
- Half closing tines (H)
- Pointed Tines (T)

FEATURES

- With 4 or 5 tines in different forms F, H, W, T.
- Hydraulic cylinders are fitted with **replaceable piston rod protection** and are **hydraulically cushioned**.
- **Oil distribution and hydraulic hoses are protected** in the carrier.
- **Reinforced tines** made of wear-resistant steel 400HB.
- **Weld-on tips** made of high resistant forged and tempered steel 500HB.
- **Accurate fittings** eliminate tine distortion, solid end stops (open & close).
- **Reinforced bolts**, large bearing surface for bolts, specially coated solid steel bushings.
- **Robust, fully integrated rotation** with sturdy slewing ring with internal hoses guarantees optimum force transmission and prevents hose break.

The **integrated pressure relief valve** protects against overcharge.

PARAMETERS/MODELS	P22V-450-5-T	P30VH-800-5-T	P40VHD-800-5-T	P51VHD-1500-5-T
OPENING A (MM/IN)	1910/75.2	2290/90.2	2200/86.6	2840/2111.8
VOLUME (LITRE/C.Y)	450/0.6	800/1.05	800/1.05	1500/1.96
LOAD CAPACITY (KG/LBS)	700/15400	7000/15400	10000/22000	10000/22000
NUMBERS OF TINES	5	5	5	5
WEIGHT (KG/LBS)	950/2090	1540/3388	1760/3872	1995/4389



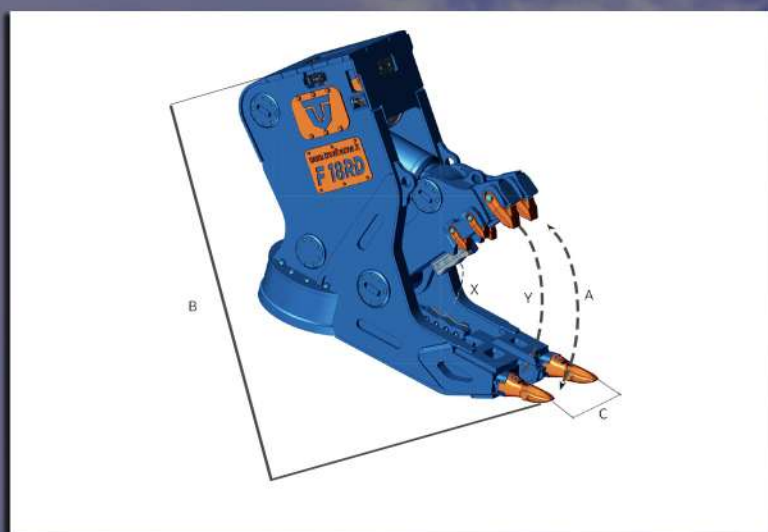
SECONDARY STATIONARY PULVERIZER F SERIES

Extremely versatile and compact equipment, designed for fixed hydraulic pulverizer indicated for the secondary phase of the demolition on the ground. Also available in the continuous hydraulic rotation version.

Its particular "hook" shape makes it extremely versatile for use on the ground, allowing the demolition of boundary walls and vertical cement structures of medium height, paving and slabs with the consequent separation of the rebar from the concrete.

FEATURES

- Two interchangeable frontal penetration teeth for secondary work on the ground
- Reversible blades
- Models available with/without continuous hydraulic rotation
- Speed multiplier valve
- On demand a magnet kit for collecting ferrous material during demolition



PARAMETERS/MODELS		F04	F07RD	F12RD	F14RRD*	F18RD	F20RRD*	F25RD	F29RRD*	F30RD	F35RRD*	F45RD	F70RD
kg.		460	680	1250	1530	1990	2405	2650	3310	3070	3720	4490	6430
A	mm.	465	530	730	730	825	825	870	870	950	950	1130	1250
B	mm.	1475	1345	1600	2150	1845	2215	1955	2350	2100	2450	2415	2670
C	mm.	305	365	460	460	540	540	670	670	670	670	760	800
X	t.	101	117	187	187	255	255	298	298	339	339	420	469
Y	t.	33	45	80	80	101	101	122	122	131	131	140	194
max	mm.	20	25	30	30	40	40	45	45	50	50	60	75
max	bar	320	320	350	350	350	350	350	350	350	350	350	350
l/min.		80/150	80/150	120/200	120/200	200/300	200/300	250/350	250/350	300/400	300/400	350/450	450/600
max	bar	/	/	/	140	/	140	/	140	/	140	/	/
l/min.		/	/	/	10/20**	/	20/40**	/	25/50**	/	25/50**	/	/

*Model equipped with continuous hydraulic 360° rotation

**Double motor

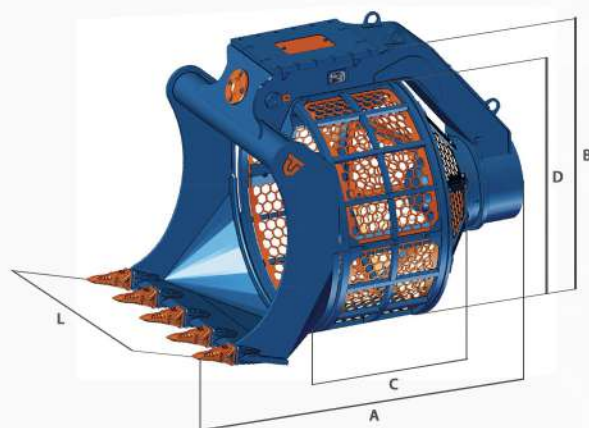


SCREENING BUCKET BVR SERIES

Extremely versatile and compact equipment, designed for selection and screening operations.

Recommended for

- Selection of pebbles along watercourses
- Filling of containment cages
- Selection of waste materials after a demolition
- Reclamation of stony soils
- Removal of stones along the beaches
- Separation of organic waste in landfills
- Aggregate recovery in building renovations
- Maintenance of public and private green areas
- Coverage of pipes in canalization works



PARAMETERS/MODELS		BVR 12e	BVR 14e	BVR 15e	BVR 19e	BVR 25e
	kg.	1320	1370	1810	2550	4900
A	mm.	1950	2190	2250	2600	2950
B	mm.	1460	1650	1890	2000	2410
C	mm.	790	925	980	1040	1360
D	mm.	1170	1340	1560	1700	2000
L	mm.	1200	1400	1600	1750	2100
Cap.SAE	m ³	1,3	1,7	2,1	2,8	5,3
	bar	200/220	200/220	200/220	200/220	200/220
	l/min.	40/80	40/80	40/80	40/80	40/80



MULTI KIT PULVERIZER MK SERIES

Multi-function pulverizer with hydraulic release in less than 5 minutes! Available with Pulverizer Kit, Combi Kit, Crusher Kit, Swiss Kit, Shear Kit and Metal Sheet-Tanks Kit.

The MK SERIES MULTI KIT PULVERIZER is a multifunctional equipment consisting of a universal body to which different demolition kits are hooked thanks to an innovative hydraulic release system without having to remove structural pins manually.

FEATURES

- Reinforced rotation motor
- Manual adjustment of rotation speed
- Locking/unlocking control device
- Speed multiplier valve
- Interchangeable blades and teeth





THE QUEEN'S AWARDS
FOR ENTERPRISE
INTERNATIONAL TRADE
2019

ABOUT AUGER TORQUE

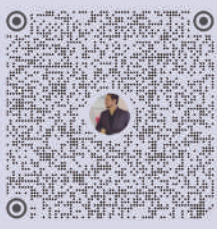
Auger Torque is a global manufacturer of hydraulic attachments which improve efficiency through operational cost savings and productivity in earthmoving, construction, and agriculture. Auger Torque's local in-house capability and committed dealer network ensures superior service, quality and reliability, with readily available product.

Our mission: To deliver ground-breaking performance

Established in the UK in 1988, Auger Torque set a new standard in the earth drill and attachment industry with a customer-centric approach that remains a core principle to this day. In 2015, the company joined the Kinshofer Group and continues to operate as an independent brand while benefiting from the resources of a global engineering and product specialist network. Auger Torque now has access to a vast array of over 4,000 attachments.

As of today, Auger Torque boasts a team of over 150 employees and operates manufacturing facilities at various locations around the world. The company has established a comprehensive global network of dealers, with its products available in more than 80 countries across every continent.

GET IN TOUCH



Connect with us via



WhatsApp



Connect via WhatsApp